

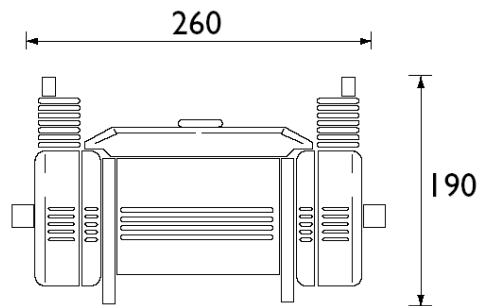
# TECHNICAL DATASHEET

## DURASPEED SHOWER BOOSTER PUMP 70

# BRISTAN

### Product Specification

<b>Product Code:</b>	HY PUMP70
<b>Pump Type:</b>	Variable speed twin impeller
<b>Inlet Connections:</b>	Flexible hose – 15mm push fit
<b>Outlet Connections:</b>	Flexible hose – 15mm push fit
<b>Pump Rating:</b>	2.0 bar
<b>Stalled Pressure:</b>	1.9 bar
<b>Motor Rating:</b>	15 minutes on / 60 minutes off
<b>Supply:</b>	Suitable for gravity systems only



### Additional Information

- Variable speed twin impeller pump driving both hot and cold supplies to boost shower power up to 20 times.
- Pump rated at 2.0 bar pressure equivalent to 20 metres (70' head).
- Vibration free and gives noise reduction of up to 30% over similar pumps.
- Pump supplied with 15mm push fit inlet and outlet connections.
- Inlet connection washers with integral filters.
- Minimum 115 litres (25 gallon) cold water tank capacity recommended.
- Pump requires 230 Volt AC supply fused at 3 amps via a double pole isolator with contact gap of at least 3mm.
- Pump fitted with mains supply cable.
- Power consumption – 280 W (fuse rating – 3 A).
- Pump must be protected by a 30ma RCD (Residual Current Device).
- For optimum performance pump should have dedicated hot and cold water supplies direct from cold water tank and hot water cylinder (preferably using an Essex flange on hot cylinder).
- Under no circumstances should the pump be connected to mains water supply.

**Technical Advice:** For further information please call 0844 7016273 or email [customer@bristan.com](mailto:customer@bristan.com)

**Guarantee:** 2 years covering manufacturing faults

### Compliance/Approvals

<b>WRAS:</b>	Certificate No. 0906041
<b>BEAB EMC:</b>	Certificate No. 20062
<b>BEAB Safety:</b>	Certificate No. E10842
<b>CE Mark</b>	