

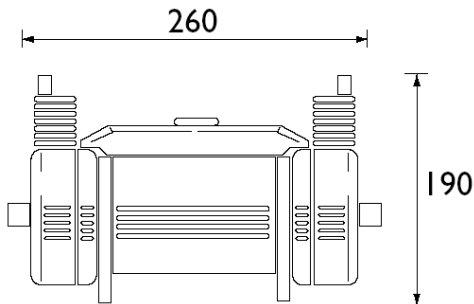
TECHNICAL DATASHEET

VARISPEED SHOWER BOOSTER PUMP 50

BRISTAN

Product Specification

Product Code:	HY PUMP50 V
Pump Type:	Variable speed twin impeller 1.5 bar pump
Construction:	Acetal plastic casting
Inlet connection:	Flexible hose – 15mm push fit
Outlet Connection:	Flexible hose – 15mm push fit
Pump Rating:	1.5bar
Stalled Pressure:	1.4bar
Motor Rating:	15 Minutes on / 60 minutes off



© Bristan Group 2009

Additional Information

- Cycle rated 15 minutes on and 60 minutes off.
- Variable speed twin impeller pump driving both hot and cold supplies to boost shower power up to 12 times. Pump rated at 1.5 bar pressure equivalent to 15 meters (50' head).
- 15 Minutes on / 60 minutes off rated motor with ceramic/carbon seals to ensure longer life and leak free operation.
- Boosts performance to a single bathroom suite or one shower.
- Pump supplied with flexible 15mm push fit inlet and outlet connections.
- Inlet connection washers with integral filters.
- 115 Litres (25 gallon) cold water tank capacity recommended.
- Pump required 230volt AC supply fused at 3amps via a double pole isolator with contact gap of at least 3mm.
- Pump fitted with mains supply cable.
- Pump must be protected by a 30Ma RCD (residual Current Device).
- For optimum performance pump should have dedicated hot and cold water supplies direct from cold water tank and hot water cylinder (preferably using an Essex flange on hot water cylinder).
- Under no circumstances should the pump be connected to mains water supply.

Technical Advice: For further information please call 0844 7016273 or email customercare@bristan.com

Guarantee: 2 years covering manufacturing faults

Compliance/Approvals

WRAS:	Certificate No. 0906041
BEAB EMC:	Certificate No. 20062
BEAB Safety:	Certificate No. E10840
CE Mark	