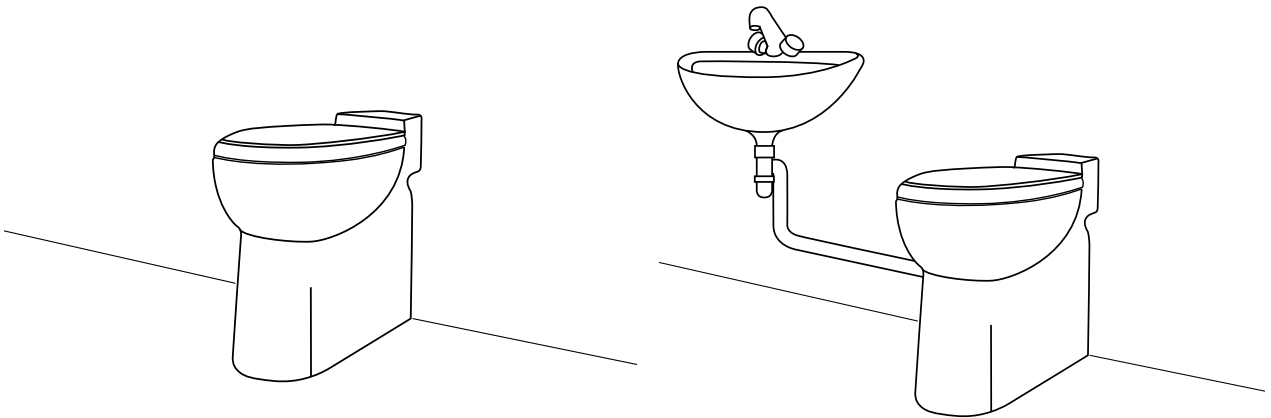


SANICOMPACT

1. Description

Sanicompact is a WC specially designed with an integral pump/macerator. Sanicompact is for domestic use only. Installed and used correctly, Sanicompact will give consistent and reliable service.



Sanicompact is operated by an electronic program. It has 2 functions:

- It will macerate the WC waste and pump it away to the drain: a push of the button will set in motion the 25 second cycle to the above.
- It will pump away the waste water from a washbasin. In this case, the motor will activate automatically when the water enters.

Please pay particular attention to the following:



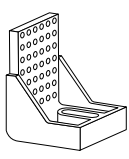



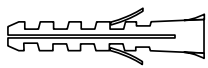

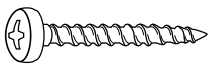

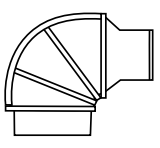
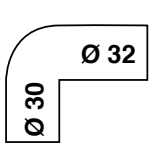

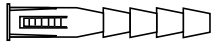


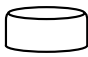
Possible danger to personnel



Warning of possible electrical hazard

“ATTENTION” This is a general warning that failure to follow instructions could result in poor functioning of the unit.

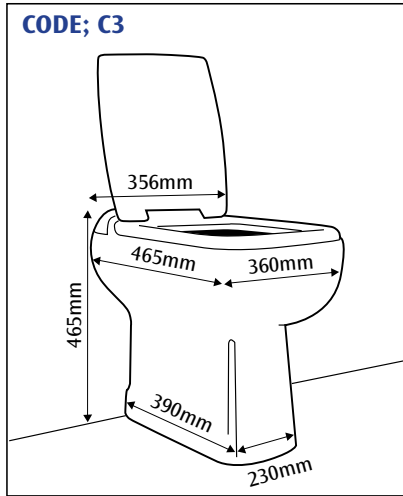
2. List of Accessories included

 x2 L-brackets	 x2 Screw	 x1 Metal hose clip	 x2 Metal hose clip
 x2 Screw plug	 x2 Plastic screw mount	 x2 Screw	 x1 Non return valve
 x1 Discharge elbow	 x1 Hose Ø 32 Ø 30	 x2 Plastic hose clip	 x2 Screw plug
 x2 Adapter	 x2 Screw	 x2 Screw cap	

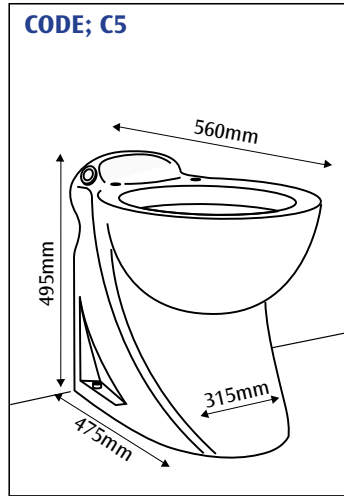
SANICOMPACT

3. Dimensions and overall measurements

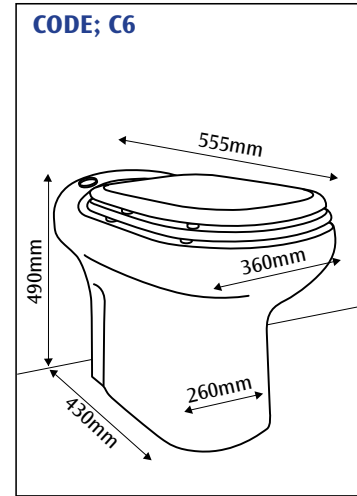
SANICOMPACT LUXE



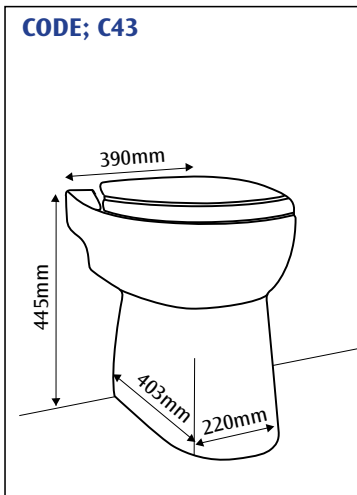
SANICOMPACT PRO



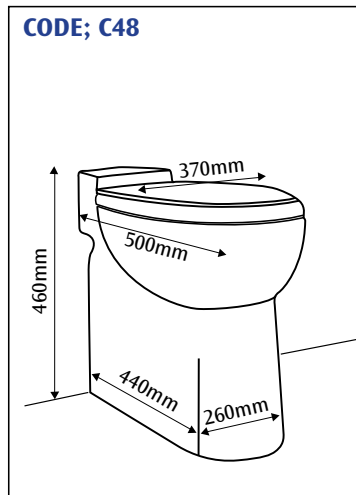
SANICOMPACT ELITE



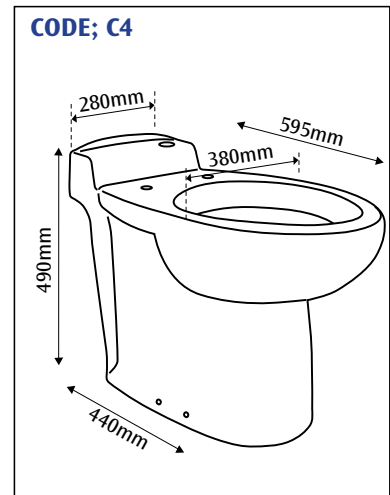
SANICOMPACT 43



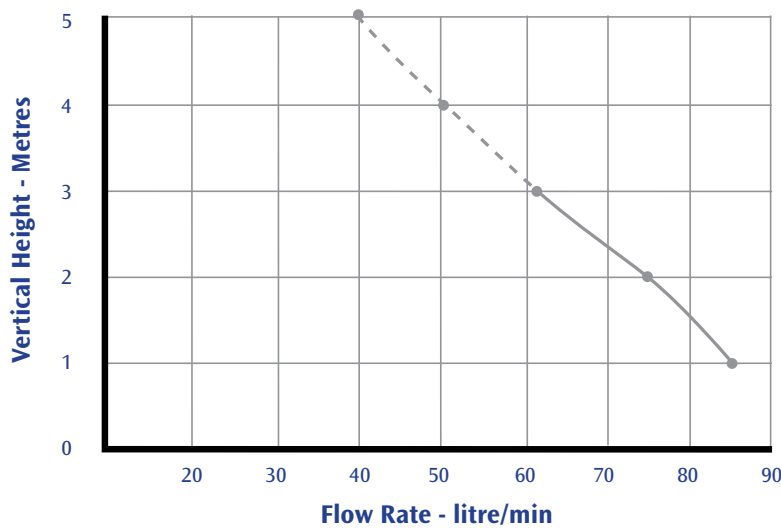
SANICOMPACT 48



SANICOMPACT C4



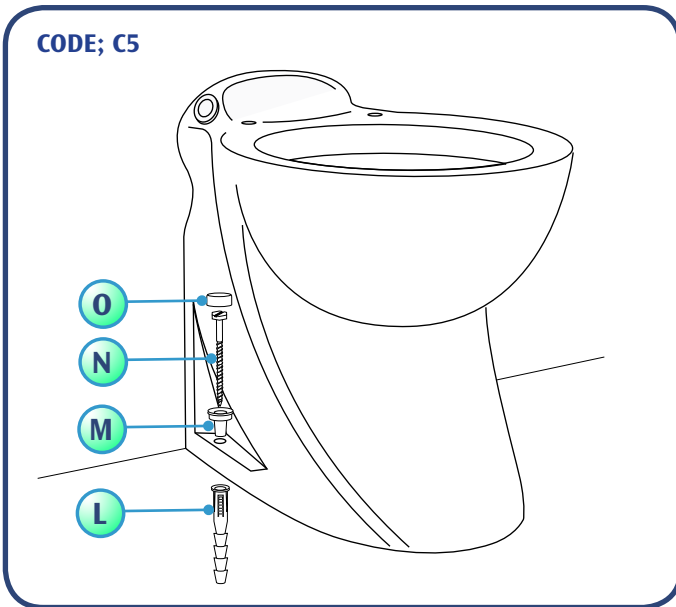
4. Performance Curve & Height and Length of the discharge pipe



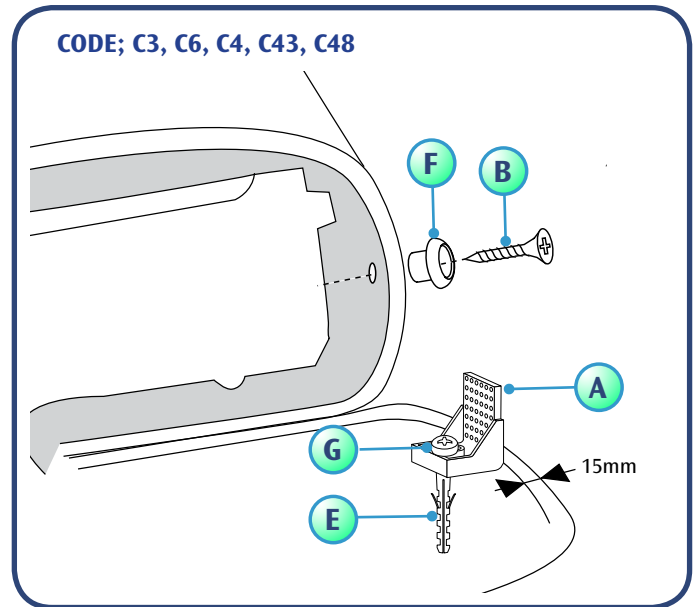
SANICOMPACT

5. Installation

CODE; C5



CODE; C3, C6, C4, C43, C48

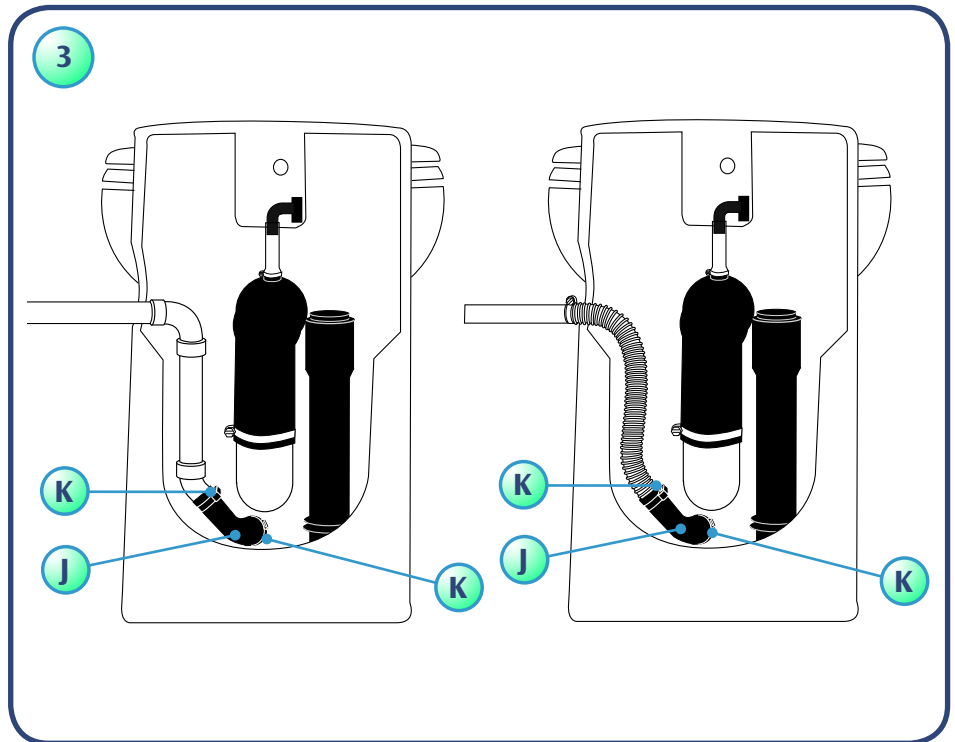
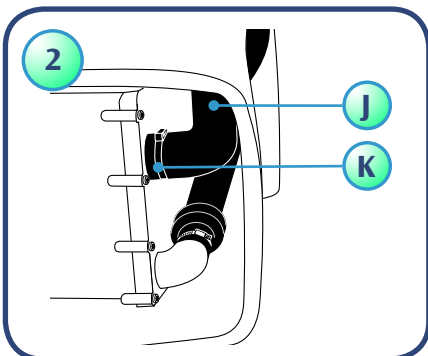
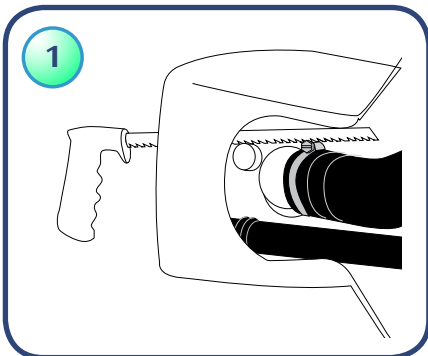


Attaching the toilet to the floor

Find a suitable location, place the Sanicompact on the floor. Mark the perimeter of the bowl on the floor and where the bracket screws will be, (rear screw holes). Remove the bowl. Measure 5/8 inch (15mm) inwards from the line and mount the L-brackets on the floor.

Note: To reduce noise level when the toilet is installed on a hard floor, you may want to insert an insulating material between the floor and the bowl.

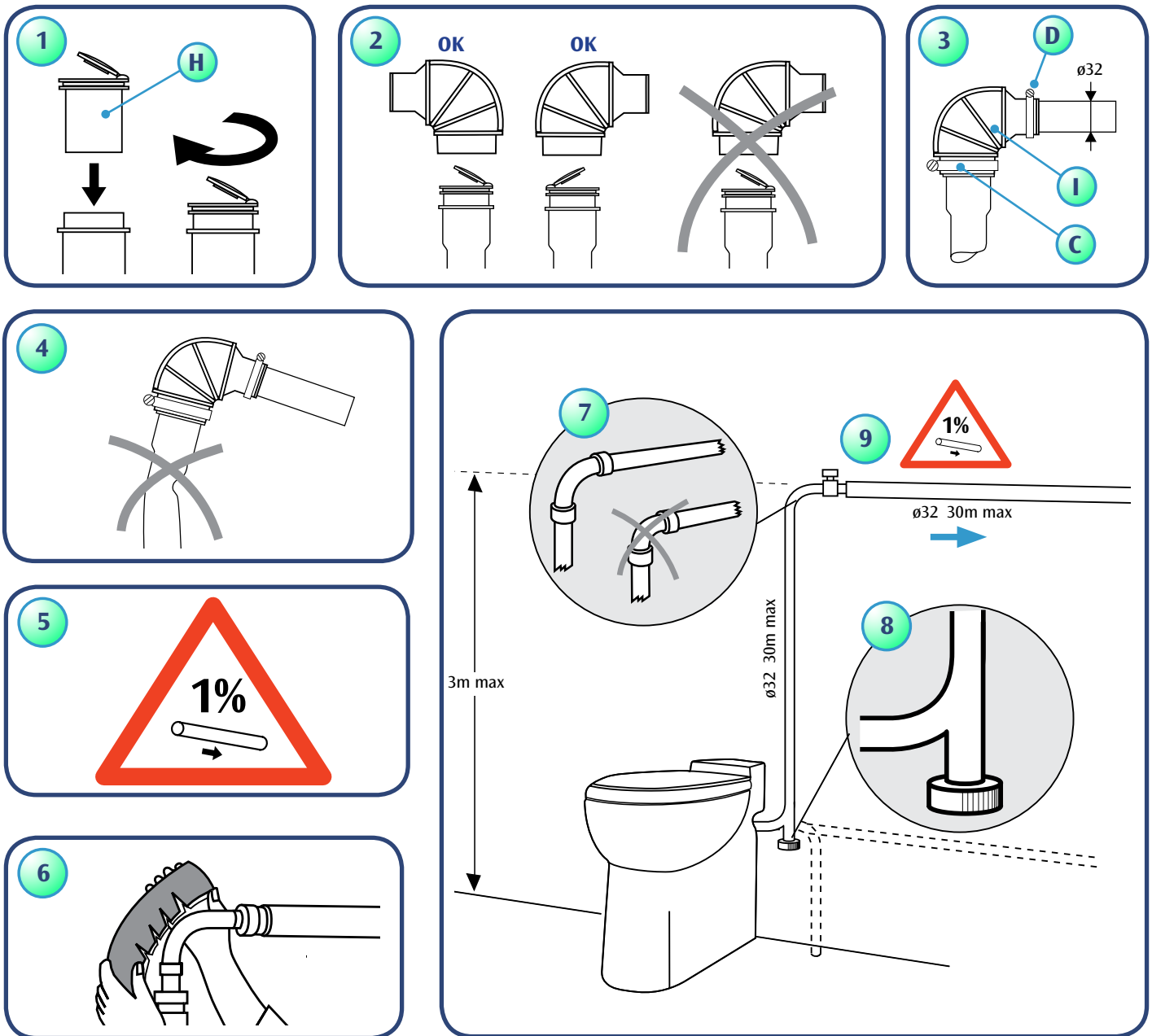
6. Connection of a Wash Basin (option)



If your Sanicompact is equipped to receive the waste water from a wash basin, make the connection as shown on figs. 1 to 3.

SANICOMPACT

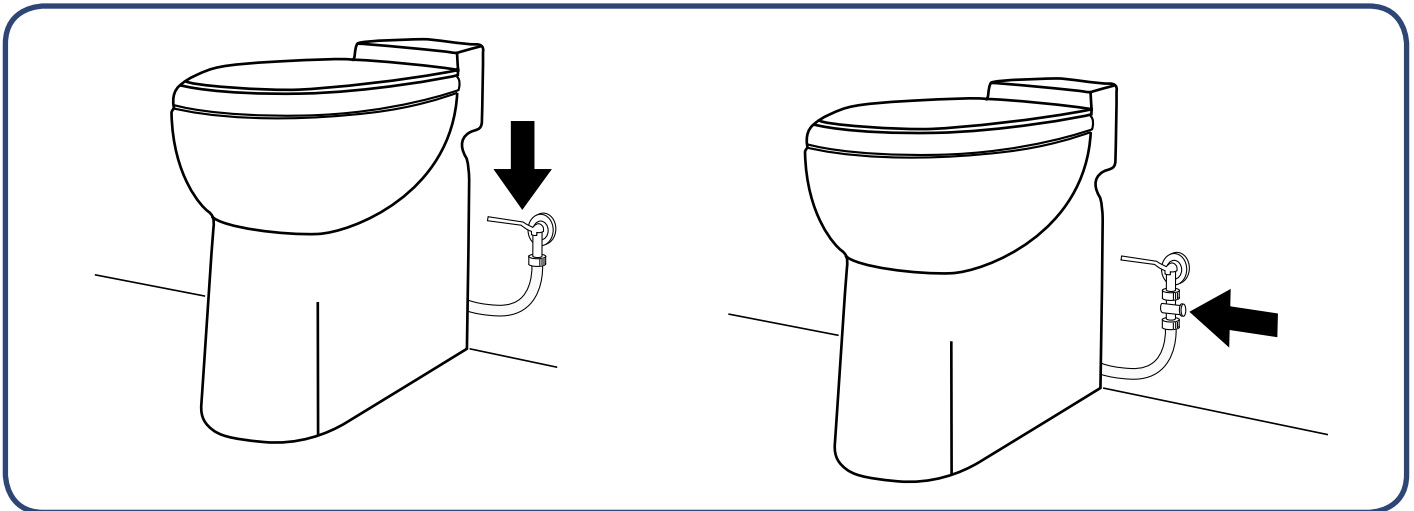
7. Connection of the discharge



- 1 - Push the Non return valve (H) down into the rubber discharge pipe until it is flush with the lip.
- 2 - Point the non-return valve flap so that it opens in the direction of flow of the discharge. Now place the discharge elbow over the flap assembly.
- 3 - Secure the base of the elbow (I) to the discharge pipe and non return valve assembly with the metal hose clip provided (C). Connect the 32mm discharge pipework to the other end and secure with metal hose clip (D).
- 4 - **Warning:** Ensure that you do not twist the discharge pipework inside the unit.
- 5 - **Warning:** The horizontal portion of the discharge pipe should be installed in a gravity flow, (1/4 inch to 1 foot). Avoid any low parts in the discharge pipe.
- 6 - **Warning:** Protect pipes against freezing with appropriate insulation. If the toilet is installed in an unheated location during freezing periods protect it as follows:..
 - Shut off the water supply,
 - Activate one cycle without water,
 - Pour antifreeze in the bowl (2 litres),
 - Flush the toilet.
- 7 - **Warning:** Any bends in the discharge pipe run should be smooth radius bends. If using plastic pipe two 45 degree offsets can be used to form a smooth bend.
- 8 - **Note:** We would recommend that a drain-off point is installed to allow the discharge pipework to be drained down before any service work.
- 9 - **Note:** To avoid siphoning, install an anti-siphon valve at the high point of the installation.

SANICOMPACT

8. Connection to the water supply



Connect the water supply hose to a shut off valve.

Caution: The quality of the rinsing of the bowl depends on the water pressure.

Warning: for a correct rinsing, the water pressure should be at least 25 PSI (1,7 bars).

Note: In an area where water is not pure (dirty, sandy), we advise you to add a filter between the shut off valve and the toilet to prevent clogging of the solenoid valve.

9. Electrical connection



The electrical installation should be carried by a qualified person and conform to BS 7671 1992 requirements for electrical installation.

All wiring must conform to BS7671, 1992 requirements for electrical installation. The unit requires a 220/240 V single phase AC 50 Hz supply (UK specification). Do not connect the unit to a conventional plug and socket. The unit should be connected to a fully earthed electrical supply (class 1). It must be wired into an unswitched fused fixed wiring connector protected by a 5 amp fuse and a residual current detector (30 mA). This connection must be used exclusively for supplying the unit.

The wires in the mains lead of the Sanipack are coloured as follows:

Brown – Live Blue – Neutral Green/Yellow – Earth

Warning: Ensure the electricity is turned OFF at the main switch board before wiring to connector. All work on cable, pressure chamber and motor should only be carried out by a qualified Saniflo servicing agent, as special tools are required.

10. Norms

Sanicompact has WRAS approval in the UK.

SANICOMPACT®

Société Française d'Assainissement

EN 12050-3

ON07-K70

220 - 240 V - 50 Hz - 400 W - IP44



11. Commissioning the unit

Connect the toilet to the electrical supply. Open the water supply completely in order to have an efficient rinsing stage. To activate the flushing cycle, push the button mounted on the rear edge of the pan. Throw a few toilet paper sheets in the bowl and start the cycle again.

Washbasin option: turn on the washbasin tap, and the motor will activate automatically. Check the watertightness of all connections.

Note: the basin tap should be watertight. Any dripping will cause the motor to activate in regular short bursts.

12. Usage

Sanicompact does not require any special maintenance.

Warning: 1: The Sanicompact range should only be used for the evacuating of normal human waste, toilet paper and household WC cleansers.

Damage may occur to the machine if the following are disposed of via the WC; Cotton wool, tampons, sanitary towels, wet wipes, kitchen towels, condoms as well as other fabric or hard objects. Solvents, acids and other chemicals can also cause damage to the unit, and will invalidate the warranty.

Warning: 2: In case of a long electrical shut off (holiday, strike, work being done on the electrical or water supply) close the water supply.

13. Care of your unit

- To clean the bowl and remove scale, use regular bathroom cleaning products.
- To avoid accumulations of scale inside the motor, we advise you to clean it regularly. To do so:
 - Shut off the water supply
 - Flush the toilet
 - Pour one litre of bathroom cleaning product (or vinegar) in the bowl
 - Leave sit for a few hours
 - Open water supply and flush the toilet several times.

The frequency of the cleaning depends on the hardness of the water in your area. We advise you to do it at least once a year. Do not put any acids, caustic sodas or solvents down Sanicompact.

14. Fault Finding / Remedies

For the most part any inconsistencies in the operation of the unit will be minor and easily rectified. Please refer to the chart below. If the problem cannot be easily remedied in this way. Please call our Service organisation.



IN ALL CASES, YOU MUST DISCONNECT THE MACERATOR FROM THE POWER SUPPLY

ALL WORK INVOLVING DISMANTLING OF THE APPLIANCE MUST BE CARRIED OUT BY AN APPROVED REPAIR AGENT

SYMPTOMS	PROBABLE CAUSES	REMEDIES
<ul style="list-style-type: none"> • The motor intermittently activates 	<ul style="list-style-type: none"> • <i>The WC cistern or taps are dripping</i> • <i>The external non-return valve (D) is faulty</i> 	<ul style="list-style-type: none"> • Check the appropriate washers / seals on the cistern / taps etc • Clean or replace the non-return valve
<ul style="list-style-type: none"> • The water in the WC pan goes down very slowly 	<ul style="list-style-type: none"> • <i>The inner grille is clogged</i> • <i>The opening from WC pan to the unit is blocked</i> 	<ul style="list-style-type: none"> • Call approved service engineer to clear the grille • Unblock the WC to unit connection.
<ul style="list-style-type: none"> • The motor operates normally, but continues to run for a long time 	<ul style="list-style-type: none"> • <i>The length or height of the installation is over the specification, or there are too many bends/ elbows</i> • <i>The pump itself is blocked</i> 	<ul style="list-style-type: none"> • Check the installation • Call approved service engineer to inspect the motor
<ul style="list-style-type: none"> • The motor does not activate 	<ul style="list-style-type: none"> • <i>The electrical supply is not active</i> • <i>Problem with motor or electrical chamber</i> 	<ul style="list-style-type: none"> • Restore the electrical supply • Call approved service engineer to inspect the motor
<ul style="list-style-type: none"> • The motor emits a rattling or crunching sound 	<ul style="list-style-type: none"> • <i>A foreign object has entered into the grille via the WC pan</i> 	<ul style="list-style-type: none"> • Call approved service engineer to remove the foreign object from the unit
<ul style="list-style-type: none"> • The motor hums, but does not run 	<ul style="list-style-type: none"> • <i>The capacitor or motor is defective</i> 	<ul style="list-style-type: none"> • Call approved service engineer to inspect the motor

15. Technical Data

Application	1 WC + washbasin
Maximum Vertical Pumping	3m
Maximum current consumption	1,8 A
Normal Power Rating	400 W
Electric Class	I
Type	ON01-K70
Degree of protection	IP44
Net Weight	4,8 kg
Voltage	220-240 V
Frequency	50 Hz

Warning: Only installations conforming to the above specifications are acceptable.

16. Guarantee

2 year guarantee as from its date of purchase subject to correct installation and usage.

17. Parts

